

TMS 1000 Series Room Thermostat



APC-TMS 1000 series room thermostat is designed for heating, ventilation and air conditioning usage in temperature and fan speed controls.



Product Features

- **Ease-of-control**
Incorporated temperature for ease of control
- **High Accuracy**
Electronic control, with variance at $\pm 1^{\circ}\text{C}$
- **Durability**
Hard flameproof plastic base and cover
- **Ease-of-installation**
One-piece construction design
- **Safety & Reliability**
System "OFF" position breaks all circuits

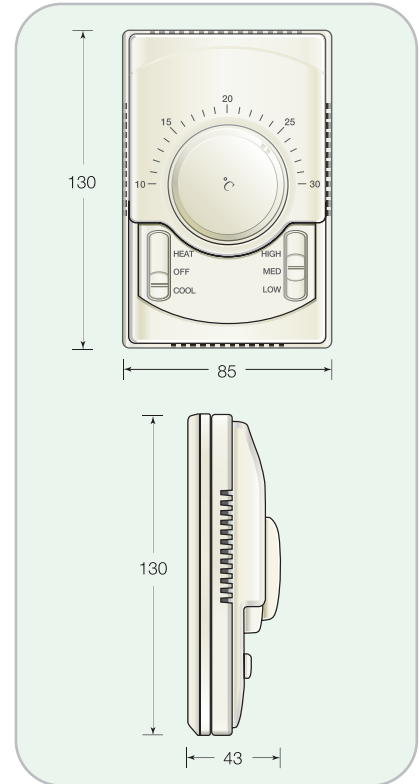
Specifications



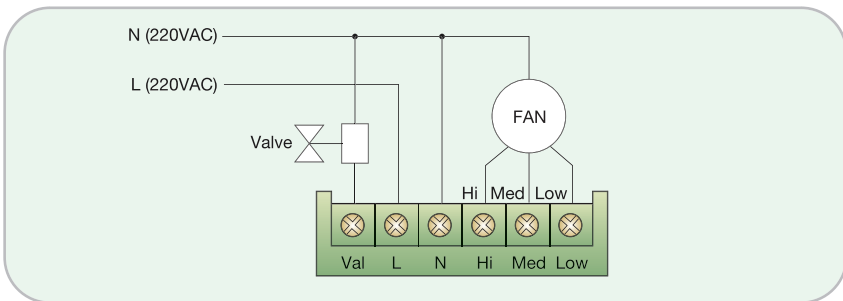
Model	APC-TMS 1000C – Cooling only APC-TMS 1000D – Heat/Cool (2 – pipe system) APC-TMS 1000D4 – Heat/Cool (4 – pipe system)
Set Point Range	10°C ~ 30°C
Sensing Element	NTC Thermistor
Rated Current and Voltage	
Current	<3A
Voltage	AC 220V ±10%, 50/60 HZ.
Connection	Screw Terminals
Housing	
Material	Hard Flameproof Plastic
Color	Milky White

*110V is also available

Dimensions: (mm)



Wiring Diagram (APC-TMS 1000C/D)



Motorized Valve

To maximize performance, YORK VLV series motorized valve is highly recommended.



With 130 years of HVAC&R experience and expertise, we offer our customers a full spectrum of professional services with our renowned product quality, advanced air conditioning systems and parts. Our full range of after sales service is complete with warranty, technical support, professional maintenance and repair support to assure our customers with a worry free guarantee products.

YORK's Commitment -

Superior Quality • Excellent Service • Distinctive Technology

YORK Shanghai Air Conditioning and Refrigeration International Trading Co., Ltd. – YORK Asia Parts Center

No. 1390 Xikang Road, Shanghai 200060, PRC.

Hotline: (86-21) 6266 1094

Fax: (86-21) 6277 0608

www.york.com

